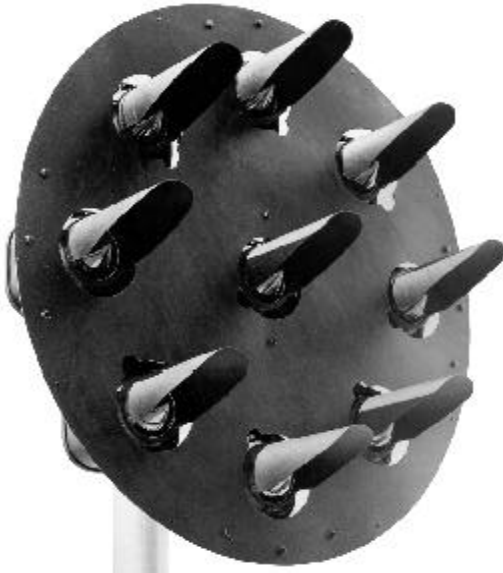


POSITION LIGHT SIGNAL MODEL SPL



- **LIGHTWEIGHT, WEATHER-PROOF CAST ALUMINUM CONSTRUCTION**
- **FACTORY-ALIGNED LAMP HOLDERS**
- **NO MIRRORS ARE USED IN THE OPTICAL SYSTEM**
- **MEETS APPLICABLE AREMA RECOMMENDED PRACTICES**

The Model SPL Position Light Signal provides a combination of light units on an 18 inch radius with central unit. It features lightweight cast aluminum construction and is available with heavy polyethylene background and steel visors.

The optical system uses a standard doublet lens combination with an outer conical lens cover. The inner lens, outer lens, and conical lens cover measure 5-1/2, 6-3/4, and 5-3/8 inches in diameter respectively. The Model SPL is capable of 4 different aspects; each having light units with clear inner and outer lenses and light yellow conical lens cover. However, aspect 1 may be ordered with red inner lens, clear outer lens and conical lens covers. Since no mirrors are used, external light reflections are minimized. The Model SPL employs the use of antiphantom screens located between inner and outer lenses.

The lamp housings and junction boxes are weatherproof and well ventilated to minimize condensation. The covers are easily removed for inspection and maintenance. All wires are brought out of a single junction box with 2 inch conduit adapter.

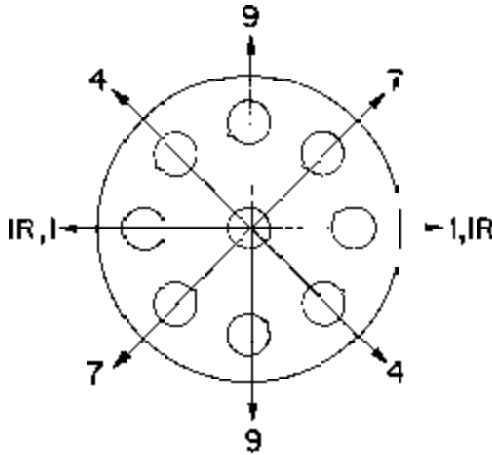
A standard S-11 signal lamp is used in a factory-aligned lamp holder. An alignment scope is built into each lamp head; therefore, each unit may be adjusted individually for proper beam alignment.

Mast mounting brackets for the SPL have vertical spacing of 13 inches. This allows for mounting on short doll masts.

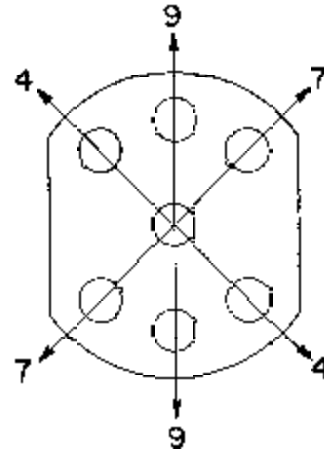
The Model SPL meets or exceeds all applicable AREMA recommended practices.

ORDERING INFORMATION

The Model SPL Position Light is available with 2 different background types as shown below. Aspect 1R has red inner lens with clear outer lens and conical lens covers. All other aspects have clear inner and outer lenses with light yellow conical lens cover.



TYPE A



TYPE B

To order, specify aspects and part number.

TYPE A

Aspects	Part Number	Aspects	Part Number	Aspects	Part Number	Aspects	Part Number
1	042750-AX	1-9	042750-DX	4-9	042750-NX	IR-9	042750-DIX
4	042750-JX	1-4-7	042750-EX	4-7-9	042750-PX	IR-4-7	042750-EIX
7	042750-KX	1-4-9	042750-FX	7-9	042750-RX	IR-4-9	042750-FIX
9	042750-LX	1-7-9	042750-GX	IR	042750-AIX	IR-7-9	042750-GIX
1-4	042750-BX	1-4-7-9	042750-HX	IR-4	042750-BIX	IR-4-7-9	042750-HIX
1-7	042750-CX	4-7	042750-MX	IR-7	042750-CIX		

TYPE B

Aspects	Part Number	Aspects	Part Number	Aspects	Part Number	Aspects	Part Number
4	042750-SX	9	042750-UX	4-9	042750-WX	7-9	042750ZX
7	042750-TX	4-7	042750-VX	4-7-9	042750-YX		

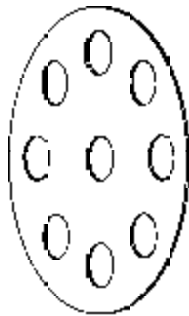
LENSES AND COVERS

Lenses for the Model SPL Position Light Signal are available in polycarbonate or optional glass. Both lens types provide a full face high intensity indication light. These lenses meet or exceed applicable AAR recommended practices.

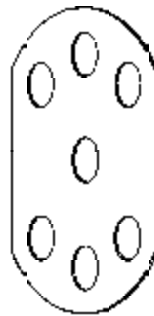
To order, specify the following:

Diameter	Focal Length	Color	Material	Part Number	Application
5-1/2"	1/2"	Clear	Glass	042257-IC	Inner Lens
5-1/2"	1/2"	Clear	Plastic	042257-4C	Inner Lens
5-1/2"	1/2"	Red	Glass	042257-IR	Inner Lens
5-1/2"	1/2"	Red	Plastic	044050-R	Inner Lens
5-3/8"	None	Clear	Plastic	042210-5	Conical Cover
5-3/8"	None	Lt. Yellow	Plastic	042210-4	Conical Cover
6-3/8"	3-3/4"	Frosted	Plastic	042210-F	Outer Lens

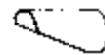
BACKGROUNDS AND VISORS



TYPE A



TYPE B

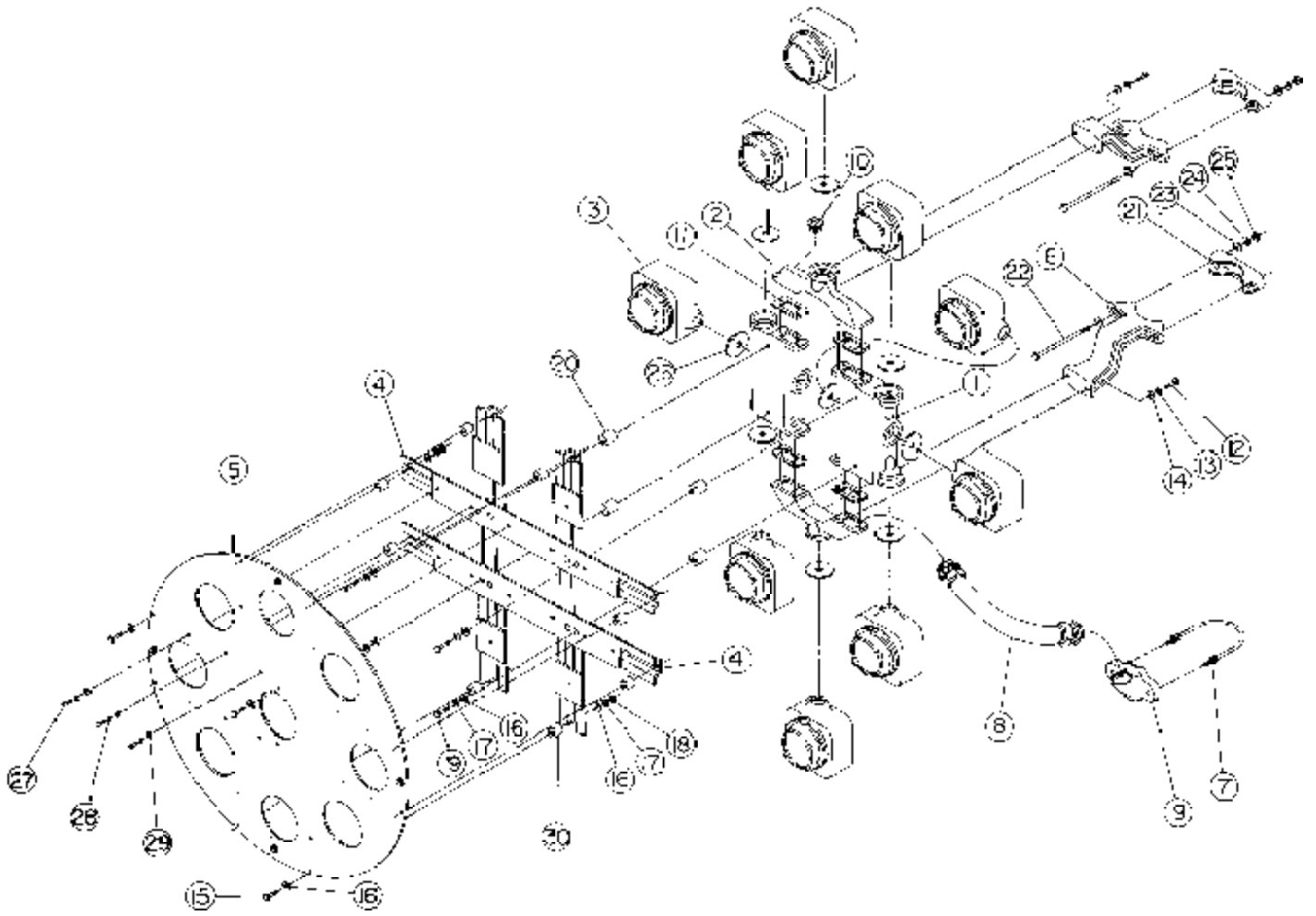


VISOR

To order, specify description and part number.

Description	Part Number
Background A, for aspects 1-4-7-9	042005-58AX
Background B, for aspects 4-7-9	042005-63AX
Visor	042005-55

MODEL SPL POSITION LIGHT SIGNAL ASSEMBLY



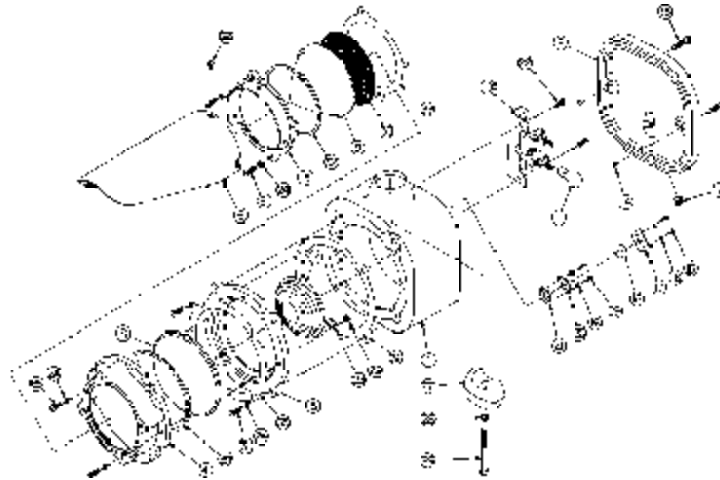
REPLACEMENT PARTS

MODEL SPL POSITION LIGHT SIGNAL

Item No.	Description	Qty. Req'd.	Part Number
1	Box, Junction (with terminals)	1	042753-2X
	Box, Junction (without terminals)	1	042753-3X
2	Saddle, Support	2	042751-1
3	Lamp, Position Light (specify lenses desired, see page C-4-3)	Specify	Specify
4	Support Assembly, Background (for aspects 1-4-7-9) Type A	1	042005-96X
	Support Assembly, Background (for aspects 4-7-9) Type B	1	042005-98X
5	Background (for aspects 1-4-7-9) Type A w/HDW	1	042005-58AX
	Background (for aspects 4-7-9) Type B	1	042005-63AX
6	Bracket, Stand Off	2	042754-3
7	U-Bolt Assembly, 5"	1	035005-2X
8	Connection Assembly, 2"	1	076058-7X
9	Bracket, Wire Entry, 45 degrees	1	042250-333
10	Plug, Pipe, 2"	3	5337-P
11	Gasket	4	042005-81
12	Cap Screw, Hex Head, 1/2" - 13 x 1.75"	4	4169-HEJ
13	Washer, Spring Lock, M, 1/2"	4	1812-MEJ
14	Washer, Flat, 1/2"	4	1755-EJ
15	Cap Screw, Hex Head, 3/8" - 16 x 2"	10	4092-HEJ
16	Washer, Flat, 3/8"	20	1726-EJ
17	Washer, Spring Lock, M, 3/8"	12	1810-MEJ
18	Nut, Hex, 3/8" - 16	8	2104-EJ
19	Cap Screw, Hex Head, 3/8" - 16 x 3"	4	4096-HEJ
20	Stand Off	4	042005-56
21	Saddle, 5"	2	070950
22	Cap Screw, Hex Head, 3/4" - 10 x 8.5"	4	3181-SJ
23	Washer, Flat, 3/4"	4	1737-SJ
24	Washer, Spring Lock, M, 3/4"	4	1815-MSJ
25	Nut, Hex, 3/4" - 10	4	2114-SJ
26	Gasket	9	042771
27	Machine Screw, Round Head, 1/4" - 20 x 3/4"	16	2660-REJ
28	Washer, Lock, 1/4"	16	1808-MEJ
29	Washer, Flat, 1/4"	16	1751-EJ
30	Spacer	8	042005-93

REPLACEMENT PARTS

LAMP HEAD ASSEMBLY

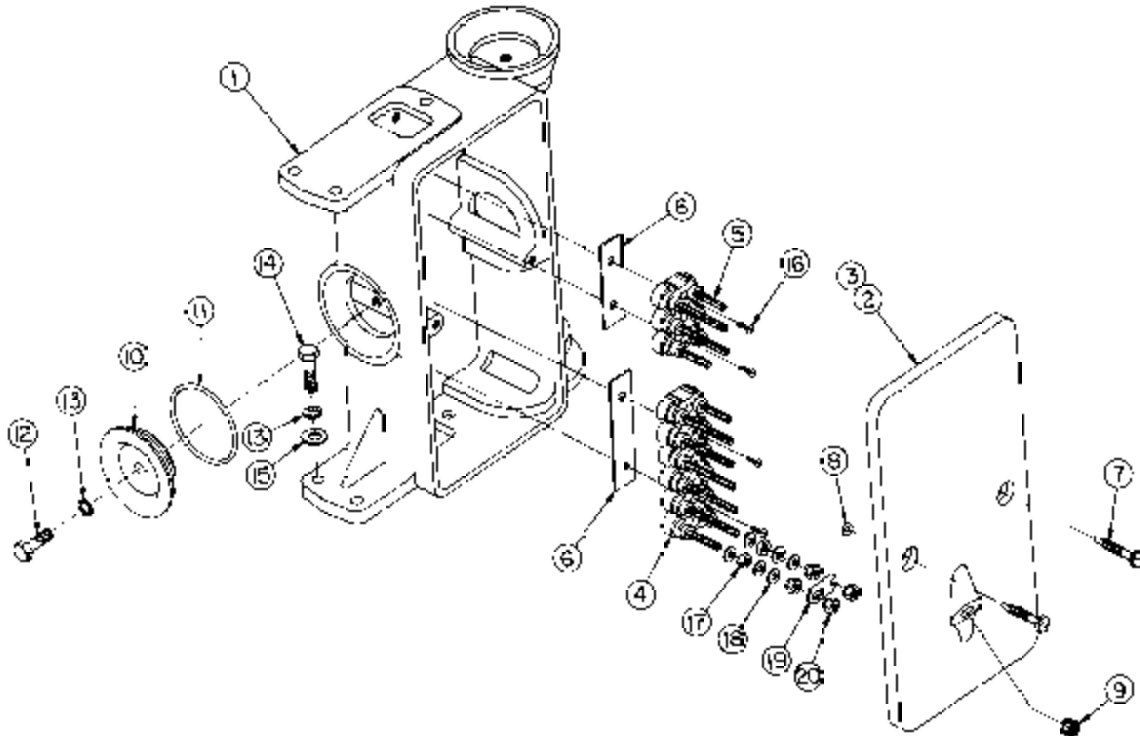


For complete assembly, order part number 042752-2X.
To order, specify description and part number.

Item No.	Description	Qty. Req'd.	Part Number
1	Housing, Lamp	1	042752-1
2	Cover, Housing	1	042759-1
3	Housing, Lens	1	042611-9
4	Bracket, Cone	1	042755-1
5	Adapter, Lamp Hood	1	042756-1
6	Hood, Lamp	1	042005-5
7	Lens, Inner (see page C-4-3)	1	Specify
8	Lens, Outer	1	042210-F
9	Lens Cover, Conical (see page C-4-3)	1	Specify
10	Assembly, Lamp and Support	1	042265-10X
11	Bulb (see page A-7-4)	1	Specify
12	Bushing, Vent	1	041913-X
13	Screw, Hex Locking	2	042056
14	O-Ring	2	042380
15	Machine Screw, Truss Head, #10-24 x .312"	2	2590-TEJ
16	Washer, Spring Lock, M, #10	4	1806-ME
17	Plate, Hold Down	1	042260-7
18	Disc, Peep Sight	1	042260-9
19	Machine Screw, Round Head, #10 - 24 x .5"	2	2592-REJ
20	Sight, Front	1	042260-8
21	Retainer, Fron Sight	1	042261-4X
22	Screw, Retaining	3	042266
23	Clamp, Lens	1	042026-7
24	Washer, Spring Lock, M, 1/4"	12	1808-MEJ
25	Machine Screw, Round Head, 1/4" - 20 x .1-1/4"	4	2664-REJ
26	Machine Screw, Truss Head, #10 - 24 x .312"	3	2590-TEJ
27	Washer, Adjusting	1	042757-1
28	Washer, Spring Lock, M, 3/8"	1	1810-MEJ
29	Cap Screw, Hex Head, 3/8" - 16 x 3.5"	1	4099-HEJ
30	Screen, Antiphantom	1	042258-6
31	Machine Screw, Round Head, 1/4" - 20 x .75"	8	2660-REJ
32	Gasket, Lens, 5-3/6	1	042611-6
33	Gasket, Mounting Ring	1	042611-4
34	Gasket, Lens, 6-3/8	1	042611-5
35	Gasket, Adapter, 6-3/8	1	042611-3
36	Gasket, Lens Housing	1	042611-2

REPLACEMENT PARTS

JUNCTION BOX ASSEMBLY



For complete assembly less items 10,11,12,13 14,15, order part number 042753-2X.

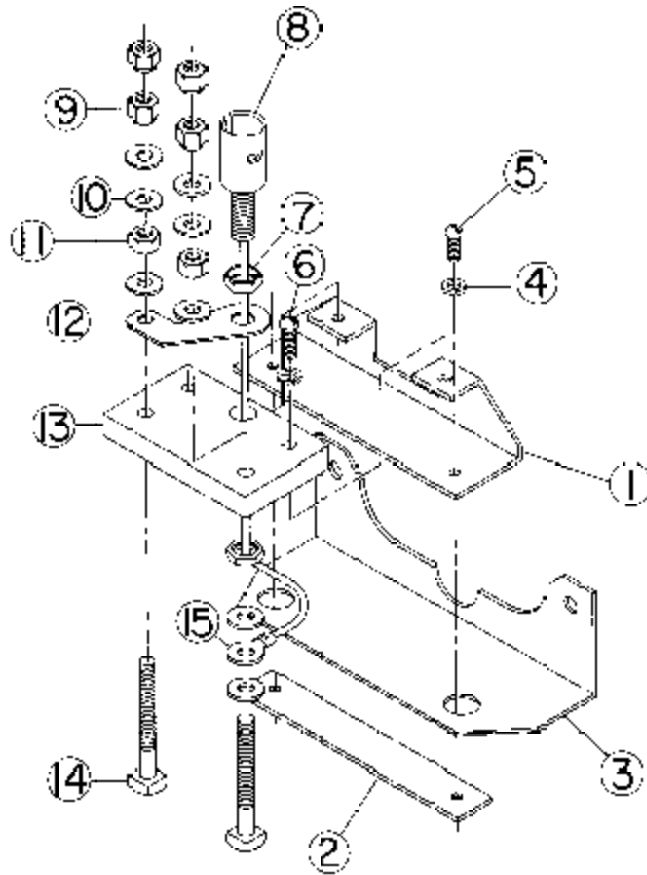
Other parts should be ordered separately.

To order, specify description and part number.

Item No.	Description	Qty. Req'd.	Part Number
1	Box, Junction (for use with terminals)	1	042753-1
	Box, Junction (for use without terminals)	1	042753-4
2	Cover, Junction Box	1	042760-1
3	Packing, Door	3.5 ft.	104513
4	Block, Terminal	1	023274-1X
5	Block, Terminal	1	023274-1X6
6	Pad, Filler	1	106010
7	Screw, Hex Locking	2	042056
8	O-Ring	2	042380
9	Bushing, Vent	1	041913-X
10	Cap, Lamp Socket	1	042758-1
11	O-Ring	1	042380-2
12	Cap Screw, Hex Head, 3/8" - 16 x 1.25"	1	4089-HEJ
13	Washer, Spring Lock, M, 3/8"	5	1810-MEJ
14	Cap Screw, Hex Head, 3/8" - 16 x 1.25"	12	4089-HSC
15	Washer, Flat, 3/8"	12	1726-EJ
16	Machine Screw, Fillister Head, 1/4" - 20 x .75"	4	2660-LBN
17	Nut, Clamp	18	023832
18	Washer, Beveled	54	023834
19	Connector, Terminal	9	023837
20	Nut, Binding	36	023831

REPLACEMENT PARTS

LAMP SUPPORT BRACKET



For complete assembly, order part number 042265-10X.
To order, specify description and part number.

Item No.	Description	Qty. Req'd.	Part Number
1	Support, Lamp	1	042265-12
2	Plate, Locking	1	042265-13
3	Bracket, Lamp	1	042265-11
4	Washer, Spring Lock #10	4	1806-ME
5	Machine Screw, Pan Head 10-32 x .375"	2	2614-PE
6	Machine Screw, Round Head 10-32 x .5"	2	2616-REJ
7	Nut, Pal, 7/16" - 20	2	2350-SN
8	Socket, Long Lamp	1	042019-2
9	Nut, Binding	4	023831
10	Washer, Beveled	9	023834
11	Nut, Clamp	2	023832
12	Connector, Offset	1	042265-14
13	Base, Bulb Socket	1	042263-1
14	Post, Terminal	2	023833
15	Wire Assembly	1	042021-1X