

Electronic Crossing Bell



Safetran's Electronic Highway Crossing Bell is designed to accurately emulate the tone of conventional electro-mechanical crossing bells. The unit is available in both Soft and Loud-Tone versions and mounts atop 4 or 5-inch diameter signals masts without the need for additional hardware or mounting brackets.

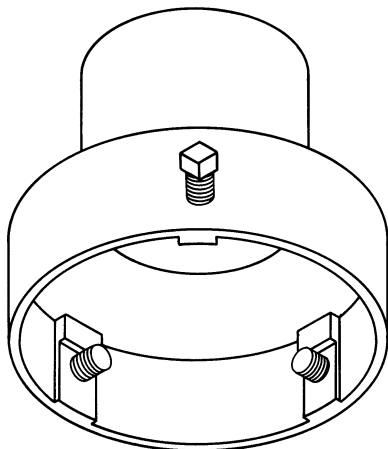
Features

- Fully AREMA compliant
- Operates from 9 to 16 volts DC.
- Soft-Tone version operates from 75 to 85 dB
- Loud-Tone version operates from 95 to 105 dB
- 250 strokes per minute (nominal)
- Permanently recorded tone
- Current draw of less than 150 mA
- Weighs less than 10 pounds
- No moving parts

Ordering Information

Loud-Tone	Part No.: 253165-T10906
Soft-Tone	Part No.: 253165-T09588

Bell Adapters



To order, specify bell adapter, mast size and part no.

Mast Size in Inches	Part Number
6"	040293-X
8"	035048-500X
10"	035063-X
12"	035062-X

Note: Safetran's Highway Crossing Bells are designed to fit directly on both 4- and 5-inch masts.