

# FLASHING LAMPS AND ASSEMBLIES

## FLX-10 AND FLX-12



- **RUGGED DIE-CAST ALUMINUM CONSTRUCTION**
- **IMPACT-RESISTANT REFLECTOR AND ROUNDEL**
- **BULB/SOCKET POSITION FIXED BY DESIGN**
- **BUILT-IN ALIGNMENT SCOPE**
- **MINIMUM MAINTENANCE REQUIRED**

FLX-10 AND FLX-12 Flashing Lamps provide a highly intense beam for both distant and close up viewing. The lamp housings are of precision die-cast aluminum construction, providing superior strength and precise optical alignment.

The new die-cast FLX-12 employs an improved reflector and precision lamp bracket. A precision molded plastic reflector, with aluminized coated front surface for exceptional light output, is reinforced by channel at the outer rim, for additional dimensional stability. The reflector is essentially unbreakable in normal use.

Factory prefocused lamp brackets assure accurate optical alignment. A built-in sighting device allows for proper beam alignment by one person.

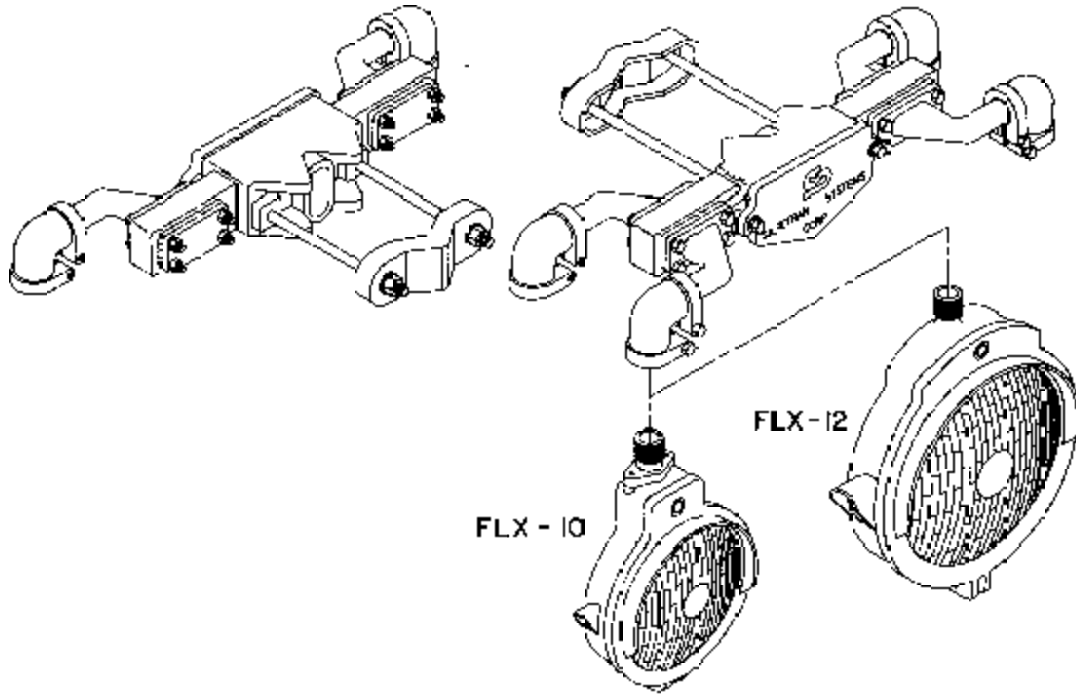
The FLX-10 and FLX-12 lamps are designed for top mounting, with easy vertical and horizontal alignment, and quick clamping in the final position. Adapters to all existing lamp brackets are available.

The FLX-10 and FLX-12 both offer a light indication through an impact-resistant roundel. The FLX-10 is an 8-3/8-inch roundel, while the FLX-12 is a 12-inch roundel. A full range of roundel deflections is available for all crossing configurations.

Background and visor assemblies, of black high-density polyethylene plastic, are furnished with each lamp. Steel and aluminum visors and backgrounds are also available upon request.

Both the FLX-10 and FLX-12 meet or exceed all applicable AREMA recommended practices.

# ORDERING INFORMATION



## FLX-10 AND FLX-12

To order, specify part number.

Model	Roundel	Part Number	Model	Roundel	Part Number
FLX-10	30/15	042000-000525	FLX-10	20/32	042000-000516
FLX-12	30/15	042000-000222	FLX-12	20/32	042000-000236

## COMPLETE CROSSARM ASSEMBLY WITH FLASHING LAMPS

To order, specify part number.

Crossarm	Lamp	Mast Size	Roundel	Part Number	Crossarm	Lamp	Mast Size	Roundel	Part Number
2 Way	FLX-10	4"	30/15	042003-000547	2 way	FLX-12	5"	30/15	042003-000896
1 way	FLX-10	4"	30/15	042003-000541	1 Way	FLX-12	5"	30/15	042003-000897
2 Way	FLX-12	4"	30/15	042003-000614	2 Way	FLX-10	8"	30/15	042003-000535
1 Way	FLX-12	4"	30/15	042003-000619	1 Way	FLX-10	8"	30/15	042003-000575
2 Way	FLX-10	4"	20/32	042003-000573	2 Way	FLX-12	8"	30/15	042003-000554
1 Way	FLX-10	4"	20/32	042003-000601	1 Way	FLX-12	8"	30/15	042003-000580
2 Way	FLX-12	4"	20/32	042003-000563	2 Way	FLX-10	12"	30/15	042003-000553
1 Way	FLX-12	4"	20/32	042003-000539	1 Way	FLX-10	12"	30/15	042003-000545
2 Way	FLX-10	4"	30/15	042003-000894	2 Way	FLX-12	12"	30/15	042003-000607
1 Way	FLX-10	4"	30/15	042003-000895	1 Way	FLX-12	12"	30/15	042003-000606

**Note:** Assemblies come with poly backgrounds and visors, 18W bulb.  
 If different bulb, roundel or background and visor are required, please indicate when ordering.  
 For special assemblies see page A-7-5 and page A-7-6.

## FLASHING LAMP ROUNDELS



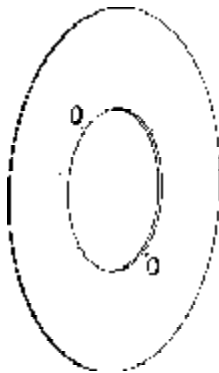
Safetran's Flashing Lamp Roundels are designed to provide a full face high intensity warning light for highway crossing signals. They are made of Lexan® plastic to provide maximum impact resistance. Prisms on the face of the roundel are designed for proper deflection and distribution of light over the entire face of the roundel. Additionally, a bright light is created around the outside circumference of the lamphead.

Designed for Safetran's FLX-10 and FLX-12 Flashing Lamps, they are also interchangeable with all other flashing lamp units.

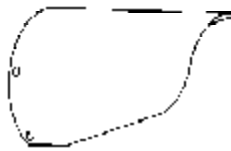
All roundels listed in the table below have a chromaticity rating of .320Y.

To order, specify deflection, diameter in inches and part number.

Deflection		Diameter In Inches	Part Number
Horizontal	Vertical		
20	15	8-3/8	040405-4430
20	32	8-3/8	040405-2530
30	15	8-3/8	040405-4530
70	0	8-3/8	040405-5130
20	32	12	040405-4730
30	15	12	040405-5230
70	0	12	040405-5030



## BACKGROUNDS AND VISORS



Background and Visor Assemblies are constructed of black, high density, polyethylene plastic, aluminum or steel. Their non-reflecting surfaces add to the signal's effectiveness.

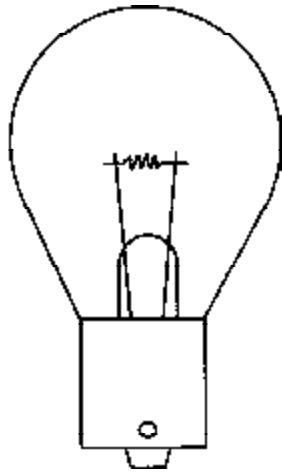
Background, visor (plastic, unless otherwise specified) and associated mounting hardware will be furnished with each.

To order, specify background and visor assembly, lamp type, and part number.

Material	Flashing Lamp Type	Part Number	
		Background	Visor
Polyethylene	FLX-10	042004-9X	042005-3AX
Polyethylene	FLX-12	(20") 042004-10X	042005-80AX
Polyethylene	FLX-12	(24") 042004-27X	042005-80AX
Aluminum	FLX-10	042004-31X	044018-X
Aluminum	FLX-12	(20") 042004-33X	042005-103X
Aluminum	FLX-12	(24") 042004-32X	042005-103X
Steel	FLX-10	042004-X	042005-X1
Steel	FLX-12	(20") 042004-21X	042005-30AX
Steel	FLX-12	(24") 042004-30X	042005-30AX

For mounting hardware only for background and visor, order number 042077-500X.

## STANDARD SIGNAL BULBS



Safetran signal bulbs are S-11 S.C. candelabra base with a CC-6 filament arrangement.

The LCL (light center length) is AREMA standard 1-1/4 inches. Average life is 1000 hours at specified operating voltage.

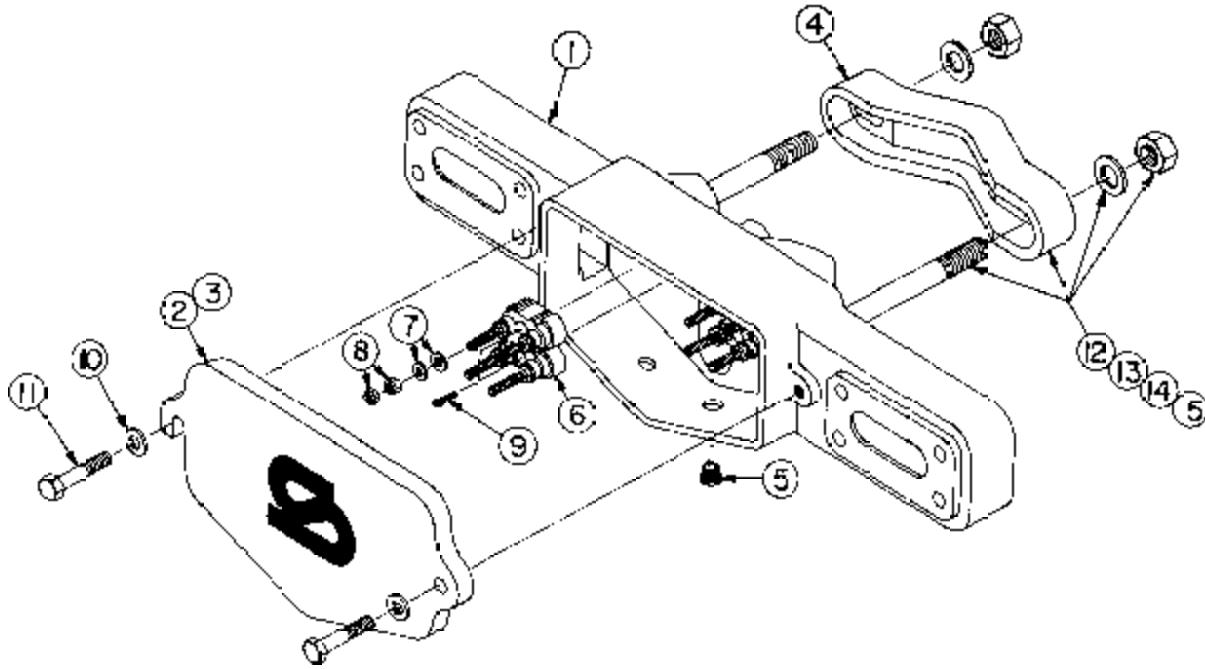
To order, specify voltage, wattage, and part number.

Voltage	Wattage	Part Number
10	18	042365
10	25	042365-3
110/120	25	042365-6
10	18/3.5	042365-11



# REPLACEMENT PARTS

## JUNCTION BOX CROSS ARM ASSEMBLY

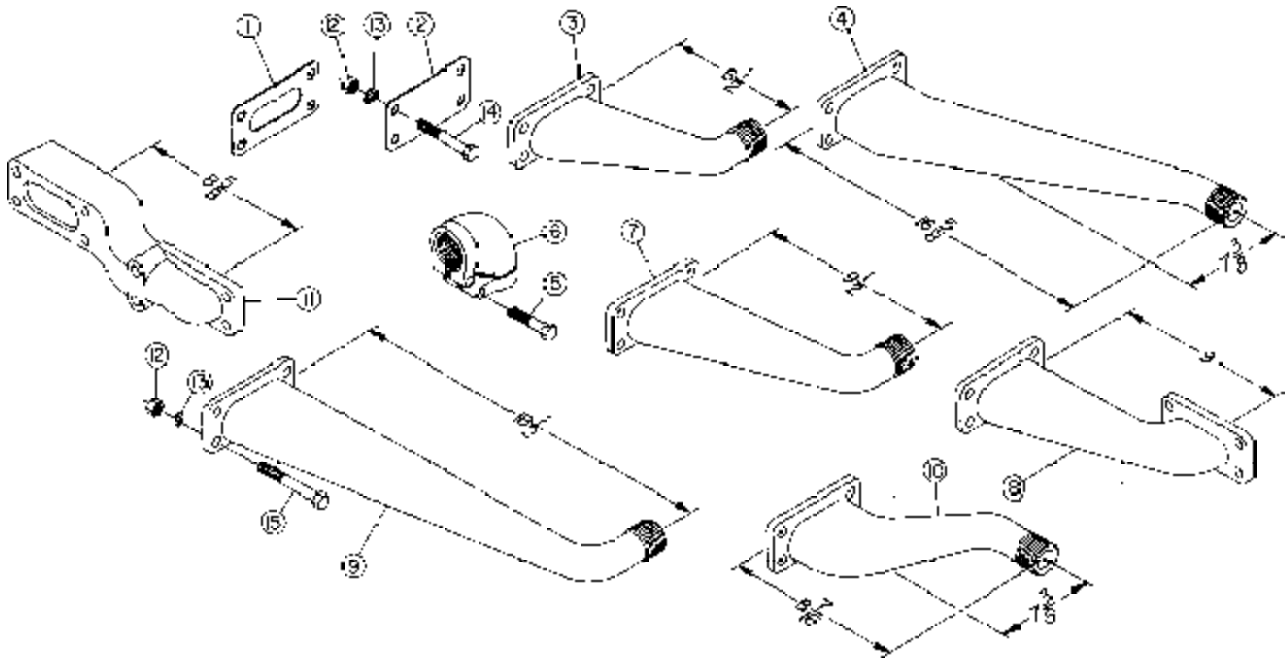


To order, specify description and part number.  
 To order Junction Box Crossarm complete assembly:  
 Specify for 4" mast #042003-X; 5" mast #042003-5X;  
 8" mast #042003-6X or 12" mast #042003-11X.

Item No.	Description	Qty. Req'd.	Part Number
1	Crossarm, Junction Box	1	042003-18
2	Cover, Junction Box	1	042006-1
3	Gasket, Junction Box Cover	1	104512
4	Saddle (included in items 12, 13, 14, and 15)	1	042007
5	Bushing, Vent (comes w/item #1)	2	041913-X
6	Block, Terminal (w/HDW)	2	023274-23X
7	Washer, Beveled	16	023834
8	Nut, Clamp	16	023832
9	Machine Screw, Round Head, #10-24 x .625"	4	2594-RSC
10	Washer, Wrought, 3/8"	2	1753-C
11	Cap Screw, Hex Head, 3/8" - 16 x 2"	2	4092-HSC
12	Hardware, Mounting, 4"	1	071367-9X
13	Hardware, Mounting, 5"	1	071367-10X
14	Hardware, Mounting, 8"	1	071367-11X
15	Hardware, Mounting, 12"	1	071367-12X

# REPLACEMENT PARTS

## LAMP MOUNTING BRACKETS

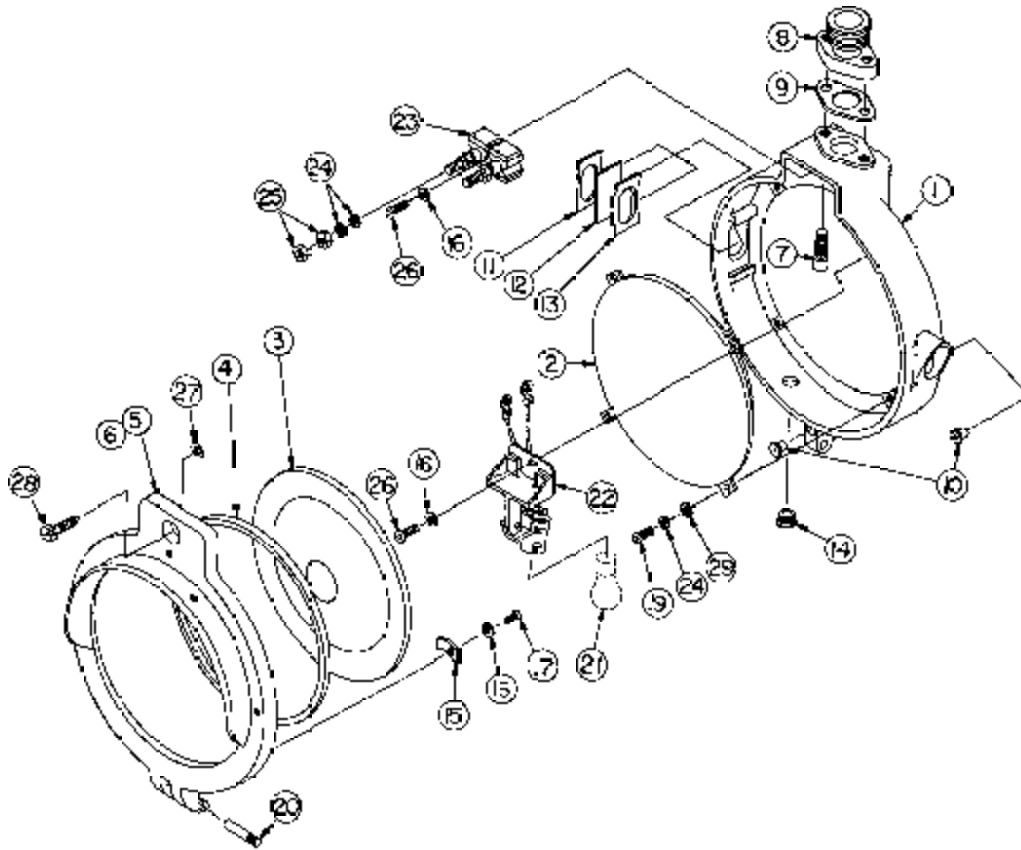


To order, specify description and part number.

Item No.	Description	Part Number
1	Gasket, Bracket	041291
2	Plate, Crossarm Cover	042041
3	Bracket, Lamp Mounting, 6-1/2" extension	041279-7
4	Bracket, Lamp Mounting, 16-5/8" extension	042027-3
5	Cap Screw, Hex Head, 3/8" - 16 x 2"	4092-HSC
6	Elbow, Flashing Lamp Signal, 1-1/4"	041264-1
7	Bracket, Lamp Mounting, 9-1/2" extension	041279-500
8	Bracket, Lamp Mounting, 9" extension	041279-501
9	Bracket, Lamp Mounting, 18-1/2" extension	041279-19
10	Bracket, Lamp Mounting, 8-7/16" extension	042027-4
11	Extension Bracket Junction Box Crossarm	041279-504
12	Nut Hex, 3/8" - 16	2104-SC
13	Washer, Spring Lock, M, 3/8"	1810-MS
14	Cap Screw, Hex Head, 3/8" - 16 x 3"	4096-HSC
15	Cap Screw, Hex Head, 3/8" - 16 x 3.5"	4098-HSC

# REPLACEMENT PARTS

## FLX-10 FLASHING LAMP



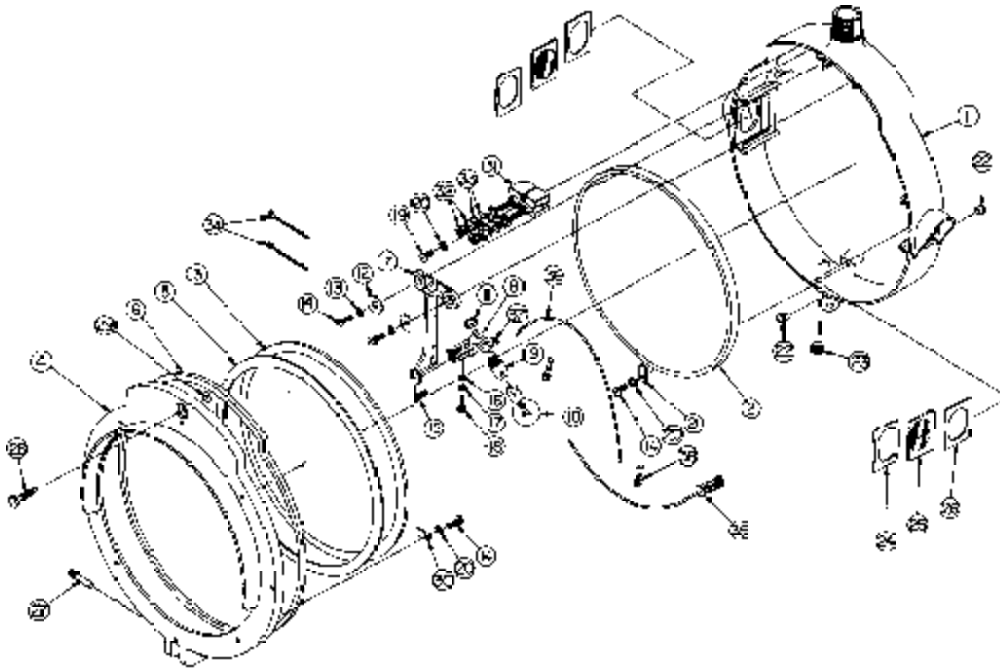
For complete assembly, less bulb and roundel, order part number 042370-10X.  
To order, specify description and part number.

Item No.	Description	Qty. Req'd.	Part Number
1	Housing, FLX-10 Lamp	1	042370
2	Reflector, FLX-10	1	042376-5
3	Roundel (See page A-7-3)	1	Specify
4	Gasket, Roundel	1	042031-3
5	Door, FLX-10	1	042371
6	Gasket, Door	1	042384
7	Cap Screw, Socket Head, 3/8" - 16 x 1"	2	4088-SSC
8	Connector	1	041214-1
9	Gasket, Connector	1	041220
10	Plug, Alignment	2	042360-3
11	Gasket, Sidelight	2	042377
12	Lens, Sidelight	2	042357
13	Retainer, Sidelight	2	042374
14	Bushing Vent	1	040506-1
15	Clamp, Roundel	4	042026-3
16	Washer, Spring Lock, M, #10	6	1806-ME

Item No.	Description	Qty. Req'd.	Part Number
17	Machine Screw, Round Head, #10-24 x .375"	4	2590-RE
18	Washer, Flat, #10	4	1712-E
19	Shoulder Screw	4	042389-2
20	Pin, Hinge, 5/16"	1	042358-1
21	Bulb, Signal (See Page A-7-4)	1	Specify
22	Bracket, Adjust. Bulb Support	1	042372-10X
23	Block, Universal Terminal	1	023390-502
24	Washer, Beveled	8	023834
25	Nut Clamp	4	023832
26	Machine Screw, #10-24 x .624"	2	2592-RE
27	Ring, Retaining	1	042380
28	Screw, Locking	1	042056
29	O-Ring	4	042389-3

# REPLACEMENT PARTS

## FLX-12 FLASHING LAMP (DIE CAST VERSION)



For complete assembly, less bulb and roundel, order part number 042950-X.  
To order, specify description and part number.

Item No.	Description	Qty. Req'd.	Part Number
1	Housing, FLX-12	1	042951
2	Reflector, FLX-12	1	042958
3	Roundel (See page A-7-3)	1	Specify
4	Door, Lamp	1	042952
5	Gasket, Roundel	1	042031-4
6	Gasket, Door, .312" x .312"	1	10-06-004
7	Bracket, Bulb Support	1	042953
8	Slide, Lamp Holder	1	042954
9	Socket, Bulb	1	042019-6
10	Bulb, Signal (See page A-7-4)	1	Specify
11	Nut, Pal, 7/16" - 20	1	2350-SN
12	Spacer, Bulb Support	2	042957
13	Washer, Shakeproof Lock, 1/4"	2	1981
14	Machine Screw, Pan Head 1/4" - 20 x .625"	9	2659-PEX
15	Screw, Adjusting	1	042955
16	Washer, Wrought, #8	1	1709-SC
17	Washer, Spring, #10	1	1979
18	Machine Screw, Pan Head, #10-32 x .75"	1	2619-PEX

Item No.	Description	Qty. Req'd.	Part Number
19	Machine Screw, Fillister Head, 10-24 x .625"	1	2659-LE
20	Washer, Spring Lock, M, 1/4"	8	1808-ME
21	Retainer, Reflector	3	042956
22	Plug, Alignment	2	042360-3
23	Bushing, Vent	1	040506-1
24	Retainer, Sidelight Cover	2	042374-2
25	Cover, Sidelight	2	042399-1
26	Gasket, Sidelight Cover	2	042357-4
27	Pin, Hinge, 5/16"	1	042358-1
28	Screw, Locking	1	042056
29	Ring, Retaining	1	042380
30	Retainer, Roundel	4	042026-6
31	Block, Terminal	1	023390-502
32	Nut, Clamp	6	023832
33	Washer, Beveled	6	023834
34	Tie, Plastic Cable	2	104823
35	Wire Assembly, 9-1/2"	1	042021-X
36	Wire, Lead	1	022316-6-20
37	Terminal, Ring	1	042356-5
38	Terminal, Ring	2	024628-110