



**Specification for Type ST Plug-in Relay  
Neutral Relay, Regular Release  
4FB-2F-1B HD Contacts, 350 Ohm**

Characteristic		Original Requirements	Contact/Coil Arrangement
Coils	Nominal V or I	10-12 VDC	<p align="center">(Front of Relay)</p>
	Resistance/Tolerance	175 Ohms ±5% Each Coil	
Temperature Range		-40C (-40F) to 85C (185F)	
P.U./W.C.	Voltage	4.76 Volts Maximum	
	Current	13.6 milliamps Maximum	
	Speed	Pickup Regular	
Dropaway	Voltage	2.17 Volts Minimum	
	Current	6.2 milliamps Minimum	
	Speed	Release Regular	
Contacts	Arrangement	4FB-2F-1B HD	
	Rating	15 Amps/30 Volts	
	Material	N.O.	Silver/Carbon
		N.C.	Silver/Silver
	Dynamic Gap		.020" Minimum
	Contact Gap		.050" Minimum
	Pressure	N.O.	40 Grams Minimum
		N.C.	21 Grams Minimum
	Overtravel per Adjustment A		*See Note #1 Below
	Resistance	N.O.	90 milliohms Maximum @ 10 VDC, 1.0 Amps
N.C.		30 milliohms Maximum @ 10 VDC, 1.0 Amps	
Armature Travel		.087" Minimum	
Retainer Gap Reference		.002" to .004"	
Residual Screw (Adjustable)		.010" Minimum	
Stop Pin (Fixed)		.008" Minimum	

**Notes**

- #1 N.O. Contacts to make with .032" and break with .041" between armature residual screw and core.
- N.C. Contacts to make with .066" and break with .059" between armature residual screw and core.

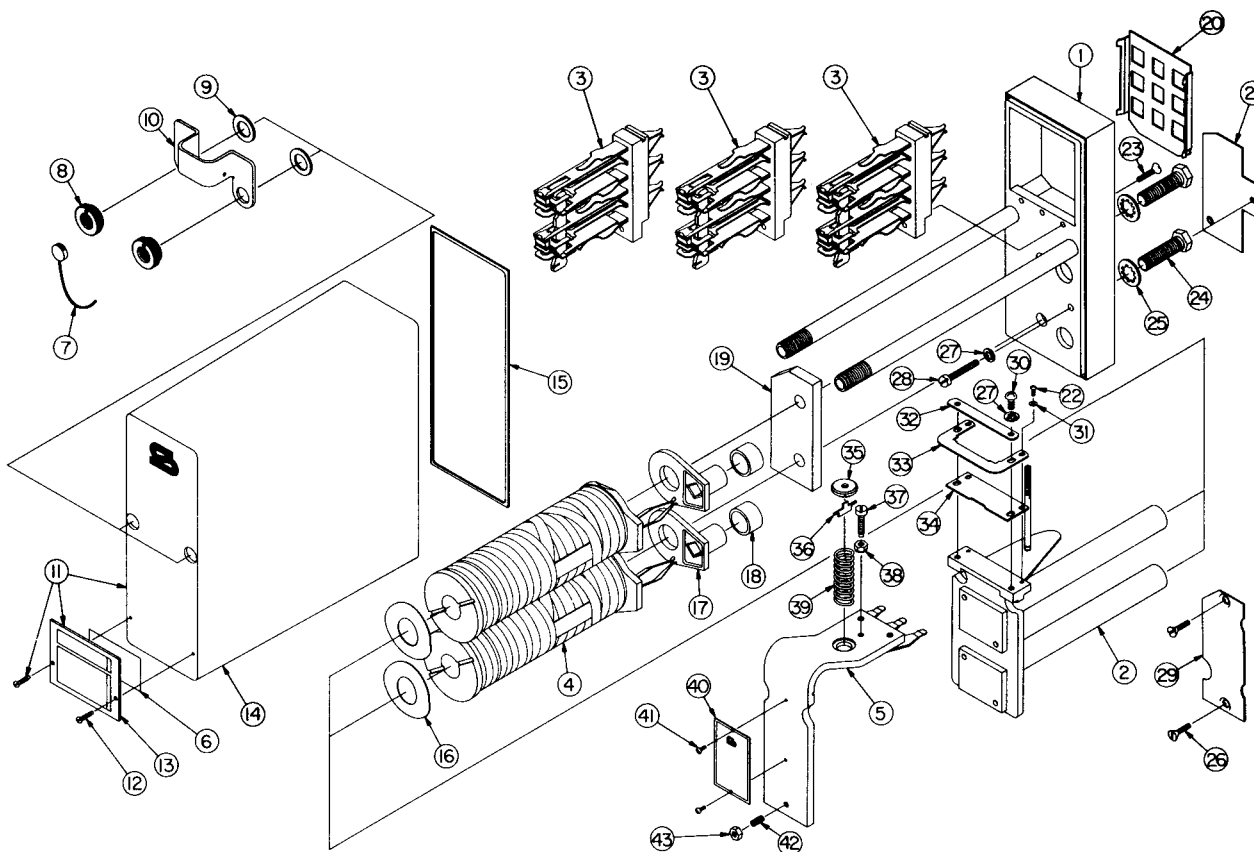
**Field Requirements**

Drop Away Value — Not less than 70% of original marking.  
Pickup/Working Value — Not greater than 110% of original marking.

**Shop Requirements**

Drop Away Value — Not less than 95% of original marking.  
Pickup/Working Value — Not greater than 105% of original marking.

# Type ST Plug-in Relay Assembly and Replacement Parts Part Number 400027



**To order, specify description and part number.**

Item No.	Description	Qty. Req'd.	Item No.	Description	Qty. Req'd.	Part Number
1	Base Assembly, Plug-in Relay	1	22	Machine Screw, Fillister Head, #4-40 X .250"	2	420053-14
2	Frame Assembly, Coil	1	23	Machine Screw, Flat Head, #6-32 X .531"	3	420050-36
3	Stack, 2FB HD Contact	2	24	Machine Screw, Hex Head, 5/16"-24 X1.125"	2	420053-12
3A	Stack, 2F-1B HD Contact	1	25	Washer, Spring Lock, I, 5/16"	2	420053-13
4	Coil Assembly, 175 Ohm	2	26	Machine Screw, Flat Head, #6-32 X .5"	2	420050-36
5	Armature	1	27	Washer, Spring Lock, I, #8	3	420050-33
6	Label, Paper Identification	1	28	Machine Screw, Fillister Head, #8-32 X .937"	1	420050-32
7	Seal, Lead	1	29	Plate, Code Pin	1	420050-46
8	Nut, Knurl, Locking	2	30	Machine Screw, Pan Head, #8-32 x .375"	2	420053-16
9	Washer, Flat Rubber	2	31	Washer, Spring Lock, I, #4	2	420053-15
10	Bracket, Cover	1	32	Plate, Retainer	1	420053-3
11	Cover Assembly	1	33	Retainer, Armature	1	420053-2
12	Tap Screw, Round Head, #4 X .375"	2	34	Plate, Hinge	1	420053-1
13	Cover, Nameplate	1	35	Nut, Spring Post	1	420053-6
14	Molded Cover, Clear	1	36	Key, Spring Retainer	1	420053-5
15	Gasket, Cover	1	37	Screw, Tailstop	1	420053-9
16	Washer, Spring	2	38	Nut, Tailstop	1	420053-8
17	Insulator, Terminal Retainer	2	39	Spring, Compression	1	420053-4
18	Seal, Rubber	2	40	Nameplate, Type ST Relay	1	420053-108
19	Plate, Base	1	41	Phillips Screw, Pan Head, #4-40 X .187"	2	420053-18
20	Seal, Dust	1	42	Screw, Residual	1	420053-11
21	Plate, Code	1	43	Nut, Residual	1	420053-10

**Safetran Systems Corporation**  
2400 Nelson Miller Parkway  
Louisville, Kentucky 40223  
502-244-7400