



**Specification for Type ST Plug-in Relay  
Neutral Relay, Slow Release  
6FB Contacts, 84 Ohm**

Characteristic		Original Requirements	Contact/Coil Arrangement	
Coils	Nominal V or I	25-30 VDC	<p align="center">(Front of Relay)</p>	
	Resistance/Tolerance	42 Ohms ±5% each coil		
Temperature Range		-40C (-40F) to 85C (185F)		
P.U./W.C.	Voltage	1.64 Volts Maximum		
	Current	19.5milliamps Maximum		
Dropaway	Speed	Pickup		Regular
	Voltage	Current		.71 Volts Minimum 8.4 milliamps Minimum
Contacts	Speed	Release		Regular
	Arrangement	6FB		
	Rating	4 Amps/30 Volts		
	Material	N.O.	Silver/Carbon	
		N.C.	Silver/Silver	
	Dynamic Gap	.020" Minimum		
	Contact Gap	.050" Minimum		
	Pressure	N.O.	40 Grams Minimum	
		N.C.	14 Grams Minimum	
	Overtravel per Adjustment A	*See Note #1 below		
Resistance	N.O.	90 milliohms Maximum @10 VDC, 1.0 Amps		
	N.C.	30 milliohms Maximum @10 VDC, 1.0 Amps		
Armature Travel		.073" Minimum		
Retainer Gap Reference		.002" to .004"		
Residual Screw (Adjustable)		.010" Minimum		
Stop Pin (Fixed)		.008" Minimum		
			<p align="center"><b>Relay register</b> (Rear of Relay)</p> <p align="center">1-2-12-32</p>	

**Notes**

- #1 N.O. Contacts to make with .025" and break with .030" between armature residual screw and core.  
N.C. Contacts to make with .057" and break with .052" between armature residual screw and core.

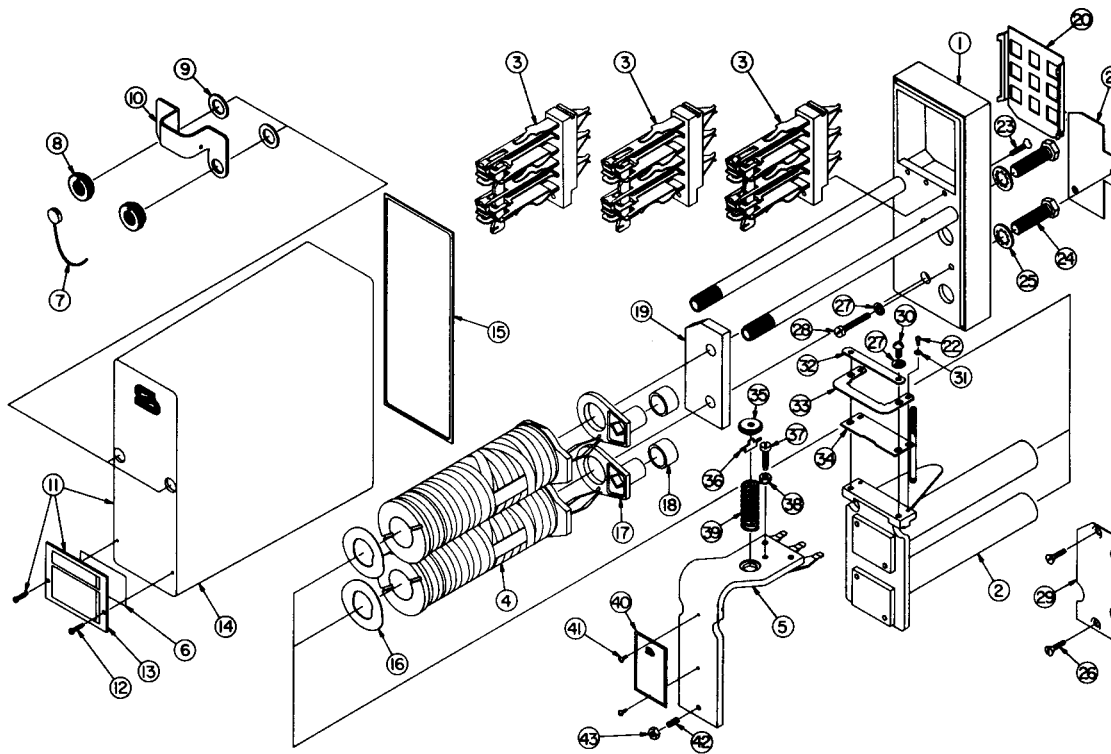
**Field Requirements**

Drop Away Value — Not less than 70% of original marking.  
Pickup/Working Value — Not greater than 110% of original marking.

**Shop Requirements**

Drop Away Value — Not less than 95% of original marking.  
Pickup/Working Value — Not greater than 105% of original marking.

# Type ST Plug-in Relay Assembly and Replacement Parts Part Number 400001



**To order, specify description and part number.**

Item No.	Description	Qty. Req'd.	Part Number	Item No.	Description	Qty. Req'd.	Part Number
1	Base Assembly, Plug-in Relay	1	420050-X	23	Machine Screw, Flat Head, #6-32 X .531"	3	420050-36
2	Frame Assembly, Coil	1	420053-3X	24	Machine Screw, Hex Head, 5/16" -24 X 1.125"	2	420053-12
3	Stack, 2FB Contact	3	420052-1X	25	Washer, Spring Lock, I, 5/16"	2	420053-13
4	Coil Assembly, 42 Ohm	2	420051-19X	26	Machine Screw, Flat Head, #6-32 X .5"	2	420050-36
5	Armature	1	420053-1X	27	Washer, Spring Lock, I, #8	3	420050-33
6	Label, Paper Identification	1	420050-3	28	Machine Screw, Fillister Head, #8-32 X .937"	1	420050-32
7	Seal, Lead	1	420050-8	29	Plate, Code Pin	1	420050-40
8	Nut, Knurl, Locking	2	420050-5	30	Machine Screw, Pan Head, #8-32 x .375"	2	420053-16
9	Washer, Flat Rubber	2	420050-7	31	Washer, Spring Lock, I, #4	2	420053-15
10	Bracket, Cover	1	420050-4	32	Plate, Retainer	1	420053-3
11	Cover Assembly	1	420050-2X	33	Retainer, Armature	1	420053-2
12	Tap Screw, Round Head, #4 X .375"	2	420050-35	34	Plate, Hinge	1	420053-1
13	Cover, Nameplate	1	420050-2	35	Nut, Spring Post	1	420053-6
14	Molded Cover, Clear	1	420050	36	Key, Spring Retainer	1	420053-5
15	Gasket, Cover	1	420050-1	37	Screw, Tailstop	1	420053-9
16	Washer, Spring	2	420053-42	38	Nut, Tailstop	1	420053-8
17	Insulator, Terminal Retainer	2	420051-8	39	Spring, Compression	1	420053-4
18	Seal, Rubber	2	420051-1	40	Nameplate, Type ST Relay	1	420053-20
19	Plate, Base	1	420053	41	Phillips Screw, Pan Head, #4-40 X .187"	2	420053-18
20	Seal, Dust	1	420052	42	Screw, Residual	1	420053-11
21	Plate, Code	1	420050-10	43	Nut, Residual	1	420053-10
22	Machine Screw, Fillister Head, #4-40 X .250"	2	420053-14				

**Safetran Systems Corporation**  
2400 Nelson Miller Parkway  
Louisville, Kentucky 40223  
502-244-7400