

NEW PRODUCT BULLETIN

S[®] SAFETRAN
systems

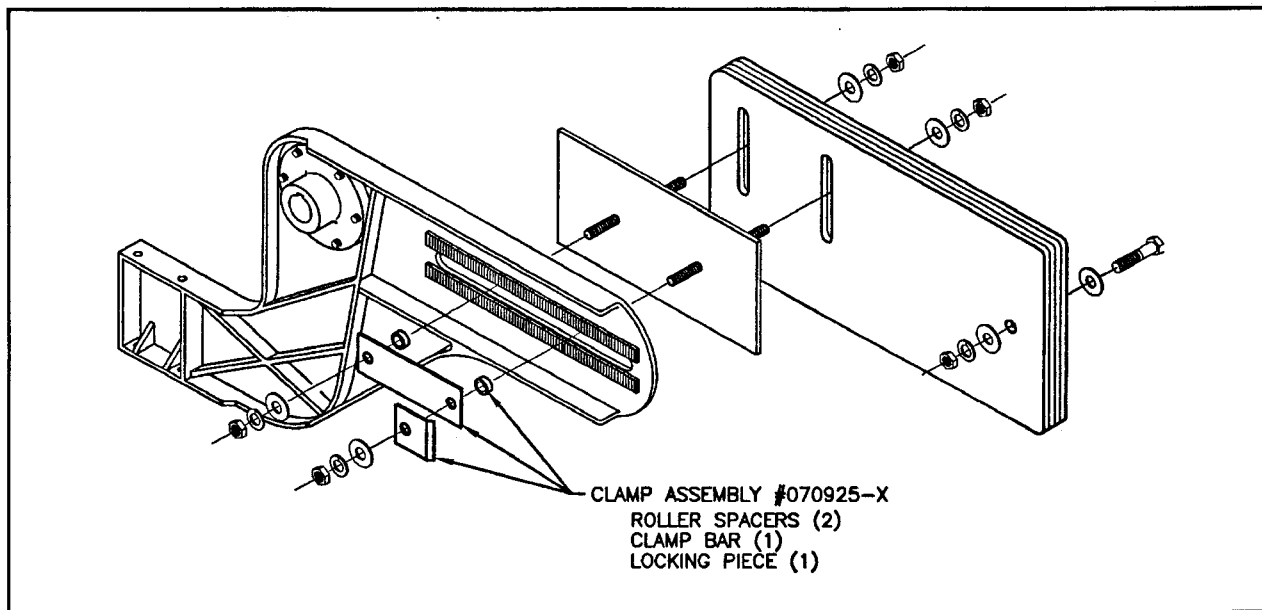
4650 Main Street N.E., Minneapolis, MN 55421 • 612-586-3202 • Fax: 612-586-3209 www.safetran.com

SUBJECT: **Clamp & Roller Assembly, Counterweight**

NO: **5-98**

CATALOG SECTION: **Signal**

DATE: **6/1/98**



Safetran's Counterweight Clamp and Roller Assembly is designed to ease the process of counterweight adjustment when setting horizontal gate arm torque.

In practice the new assembly, as shown in the above illustration, positions the rollers in the adjustment slot of the gate arm support. When the hex nuts are loosened the clamp bar and locking piece are disengaged from the gate arm support and the counterweights are easily moved to the proper position.

The new assembly will be furnished on stud plate assemblies for both S-20 and S-40 gate assemblies and is available as shown for replacement of the existing two bolt ratchets (#070924).

Specification

Components-Steel with Zinc plate color chromate finish

Ordering Information

To Order: Specify Clamp Assembly #070925-X