

# NEW PRODUCT BULLETIN



**SAFETRAN**  
*systems*

2400 Nelson Miller Parkway, Louisville, KY 40223 502-244-7400 Fax: 502-244-7444 www.safetran.com

**SUBJECT:** AB Switch, 53434

**NO:** 2-00

**CATALOG SECTION:** Communications

**DATE:** 8/23/00

Safetran's new AB Switch, (53434) is a general purpose device used to provide RS-232 redundant switching for office and field applications. It is normally used in conjunction with two of Safetran's 9-port or 12-port WCC/FPD's to provide redundant communication with code lines.



## Outstanding features of the AB Switch include:

- Neuron® (Echelon®) 10 MHz microprocessor
- Supports 12 RS-232 lines
- Provides front panel access to all 12 ports, allowing a user to plug a protocol analyzer or other equipment into the unit
- Provides automatic fail detection and switch-over operation from Primary to Backup WCC/FPD
- Allows the user to independently set each port to be Primary or Backup
- Echelon® LonTalk® port for maintenance and diagnostic functions
- 12 VDC operation
- Rated for industrial temperature operating range
- No moving parts ensures high reliability
- Works seamlessly with the 9- and 12-port WCC/FPD's

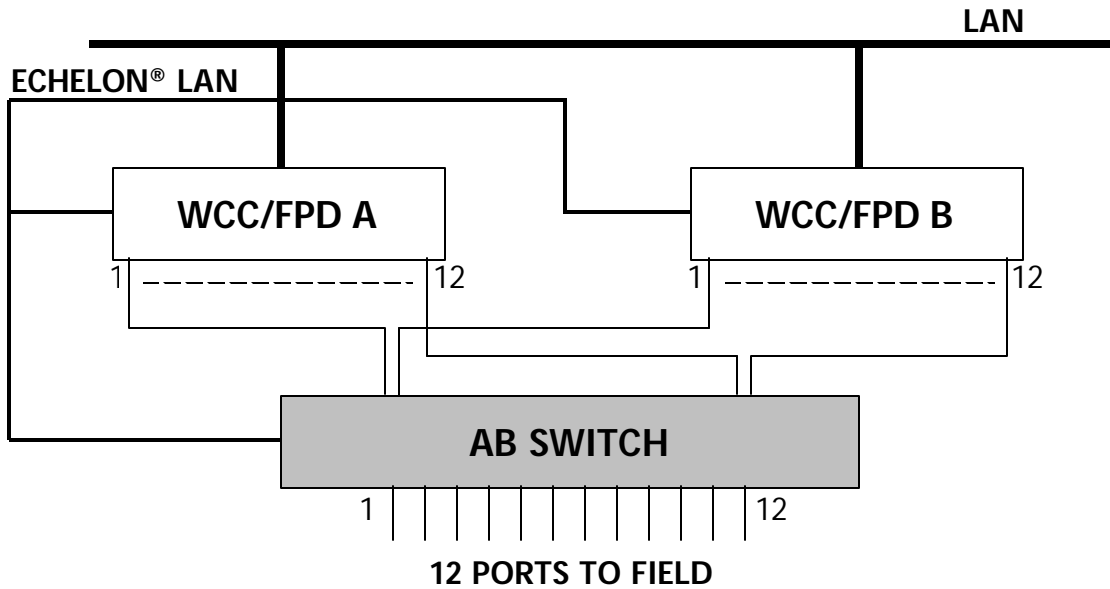
## Operation

The AB Switch and the two connected WCC/FPD units communicate via an Echelon® (LonTalk®) LAN. The AB Switch is constantly checking the health of the WCC/FPD's and if any problem is detected with the primary unit, the AB Switch automatically switches all lines to the backup unit.

The AB Switch utilizes magnetically-latched relays for line control. In the unlikely event that the AB Switch should fail, the relays will remain latched in the current state and the on-line WCC/FPD unit will continue to operate without interruption. Once the relays are latched in the failed state, a switchover is not possible until the AB Switch is once again operational.

LonTalk, Echelon and Neuron are registered trademarks of Echelon Corp.

A maintenance utility is available from Safetran that enables the user to switch individual lines from one WCC/FPD to another. A front panel three-position switch permits users to force a hard switchover to the A or B position.



**SPECIFICATIONS**

<b>Input Power:</b>	9-16 VDC (12 VDC nominal)
<b>Communications Processors:</b>	Neuron® @ 10 MHz
<b>RS-232 Lines:</b>	12 lines
<b>Echelon® LonTalk®:</b>	1.25 Mbits/second, twisted pair
<b>Parallel I/O:</b>	12 inputs 12 outputs
<b>Baud Rate:</b>	Up to 256 kbytes
<b>Environmental:</b>	Temperature: -40 °F to +160 °F (-40 °C to +71 °C) Humidity: 95%, noncondensing
<b>Dimensions:</b>	3.25 inches (8.26 centimeters) high 17.25 inches (43.85 centimeters) wide 8.00 inches (20.32 centimeters) deep
<b>Weight:</b>	5 pounds (2.27 kilograms) (approximate)

**ORDERING INFORMATION**

To order, specify part number 9000-53434-0000

LonTalk, Echelon and Neuron are registered trademarks of Echelon Corp.