

DTX

Digital Touch Exchange



A History of Communications Technology,

A Future of Solutions

Three decades of technological innovation and expertise come together at SAFETRAN® for reliable, economical communications systems.

With a reputation as an industry leader, Safetran extends this communications advantage to railroads, transit companies, utilities and virtually every industry that requires customized control, efficiency, and reliability in their communication center applications.



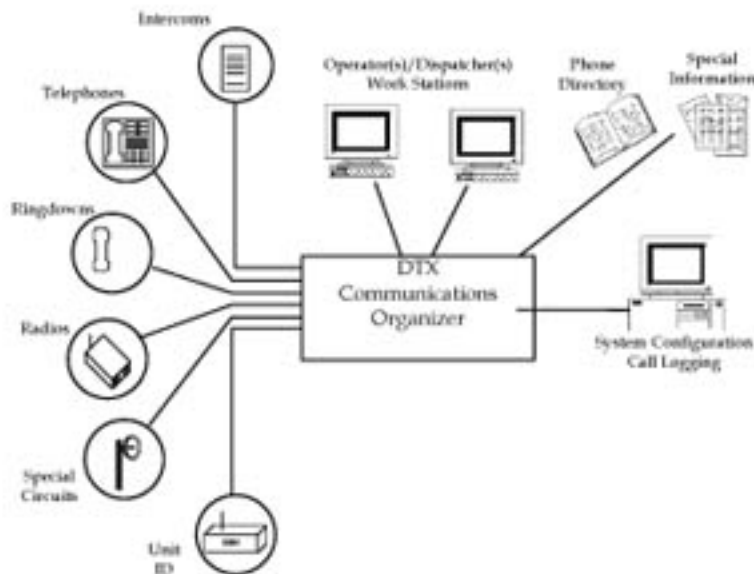
A Versatile, Ideal Solution

To meet your specialized communication needs, Safetran introduces the DTX (Digital Touch Exchange), an electronic central communication control system. Expandable, flexible and reliable, the DTX system is adaptable to meet the industry's needs on a real-time basis, with options that expand the system as your business grows.

Safetran's DTX system is the most feature-packed, field-to-office communications system available, and it's the ideal solution for your industry.

Whether directing communications from the dispatchers to locomotives, mobile units, railroad yards, substations or remote offices, monitoring 24-hour communication lines, dispatching calls, or performing a variety of other communication functions, the DTX delivers every time for every industry with accuracy and speed.

The DTX console utilizes JAVA technology on a Personal computer running either Windows NT, Windows 2000 or compatible software.



DTX Advantages

Behind the features and options that make the DTX an outstanding communications tool, you'll find technology that supports its role as a completely integrated system. The DTX system combines the latest digital switching techniques with touch-screen, color video graphics to integrate and control virtually all types of two and four wire communication lines: radio base stations control, PSTN or PBX, telephone, intercom, PA, talkback speaker, dispatcher, station platform and special lines.

More advanced user-friendly options are another key advantage of the DTX system. Individual line audio levels are digitally set from the console to standardized levels for the operator, without requiring access to rack equipment. Plus, the simple, straight-forward commands make each job faster and more accurate, without the need for complex operation training.

T-1 Technology

Safetran's DTX system uses innovative T-1 technology, a standard of the communications industry that connects the console rack equipment with only two twisted wire pairs. The DTX T1 Interface Controller (TIC) performs line card functions using digital signal processor (DSP) technology and no analog components, thus allowing the DTX to accommodate both analog and digital inputs in the DTX system. When



using a digital TIC there are many advantages including hot standby with each TIC shelf. Within the rack equipment, multiplexed streams of data are received, routed and prioritized automatically, along with conferencing, VOX or tone call-in line, monitoring and automatic dialing. The T-1 design allows your modular system to receive up to 24 lines on a single rack card cage, and to combine rack cages for a higher line count. Your DTX system will never become obsolete, as future enhancements are added.

A single rack card cage system supports a single console for an economical, small system. Multiple rack card cage systems support additional consoles as required to accommodate most any size system. Because the rack-to-console audio and control link is a single T-1 circuit, this may be extended as required for remote consoles using industry-standard T-1 devices. This flexibility allows easy initial system design and lets you quickly and easily reconfigure the system when your operation changes, whether across the room, across town or across the country. It will also permit handling intermixed audio and data, or other data communications.

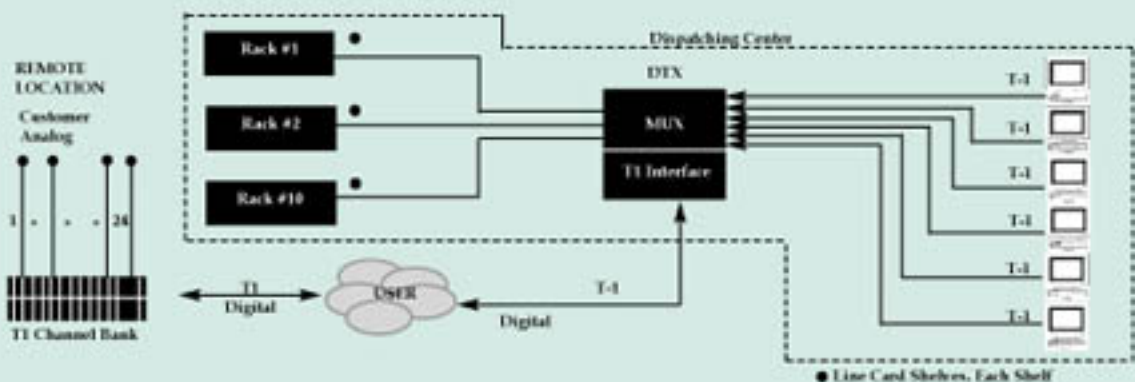
Complete Adaptability

A simple-to-use, simple-to-service system, the Safetran DTX is based on the industry standard T-1 digital switching system. This means switching is electronically distributed—a single failure won't bring the whole system down. Servicing is quick and easy. You'll see immediate and long-range benefits to your business. The DTX combines user-friendliness and the latest technology with a "Windows™" type display, touch screens, mouse options, recognizable icons and menu-driven control. Plus, having complete access to all lines allows operators to maintain the interactive system with efficiency and speed.

The new release of the UCC (Universal Console Controller) allows customers to require only a Fractional T1 circuit (4DS0's) from DTX rack to console. However, it is also compatible to the current console to rack assemblies.

What makes the DTX unique for operators is not only its user-friendly features, but also its customization options. Each DTX system has on-the-spot programming flexibility to meet the needs and preferences of individual operators, with a range of audio configurations that include speakers, headsets and microphones. System operators can efficiently manage the communications system through DTX options, while managers increase their own efficiency with access to continually updated status reports. Maintenance forces will appreciate the extensive diagnostics and event logging capabilities.

When you're counting on the DTX for complete communications control, you can also count on it for reliable performance. And with this system's expendability, there's no possibility of obsolescence when communication systems change. Overall, these benefits, combined with innovative technological features, lead to more effective communications management in your industry.



Adaptable For Your Industry And Communication Needs

The Safetran Solution

Safetran brings maximum performance to your DTX communications system by allowing you to adapt it to the needs of your industry, and your system operator.

The ultimate in communications reliability, effectiveness and performance is available through years of Safetran innovation. For your highly critical communication needs, the Safetran DTX system answers every challenge, and continues to do so by growing as your business grows. If your industry requires nothing less than an effective, superior communication system, you should ask for nothing less than the Safetran DTX.

SPECIFICATIONS:

Power Requirements	
Office Console	117 VAC
Rack Assembly	24VDC (optional battery backup) + 117 VAC
Line Capacity	24, expandable in groups of 24 - Combination of analog & digital T-1 output
Audio Switching	PCM (T-1 compatible)
Signaling Output	DTMF, single tone (programmable), Industry standard two-tone sequential, DC, E&M, optically coupled, 24 VDC
Transmit and Receive Notch Filters	Programmable
Transmit Audio	600 ohms, hum and noise >50 dB below output
Receive Audio	600 ohms/high impedance; hum and noise >55 dB below speaker or headset maximum output
Frequency Response	+1/-3dB, 300 to 3000 Hz, 1kHz reference
Crosstalk	>60 dB

DIMENSIONS:

Office Console	21" H x 15" W x 16" Deep
Card Cage Assy.	11" H x 19" W x 15" Deep
MUX Shelf	11" H x 19" W x 15" Deep
TIC cardcage	3.5" H x 19" W x 17.25" Deep
UCC	3.5" H x 19" W x 10" Deep



2400 Nelson Miller Parkway
Louisville, KY 40223
1-800-626-2710
Phone: (502) 244-7400
Fax: (502) 253-3760
www.safetran.com