

## INSTRUMENT CASES

WALL, WOOD POLE OR PIPE MAST MOUNTED



- **ALUMINUM, STEEL OR COR-TEN® STEEL CONSTRUCTION**
- **SIDES ARE LINED WITH WOOD**
- **AVAILABLE WITH SHELVES AND TERMINAL BOARD**

Instrument cases are available in several heights with construction of either aluminum, steel, or Cor-Ten® steel. With appropriate brackets, the cases can be mounted to walls, wood post, or pipe mast.

Ventilators with covers are located at the top and bottom of the door. The door channel is fitted with a neoprene gasket to form a weathertight seal. The door is removable when open. The door handle is designed to accept a padlock or it can be locked by a built-in screw using a standard terminal wrench.

An aerial cable inlet knockout is located on each side of the case.

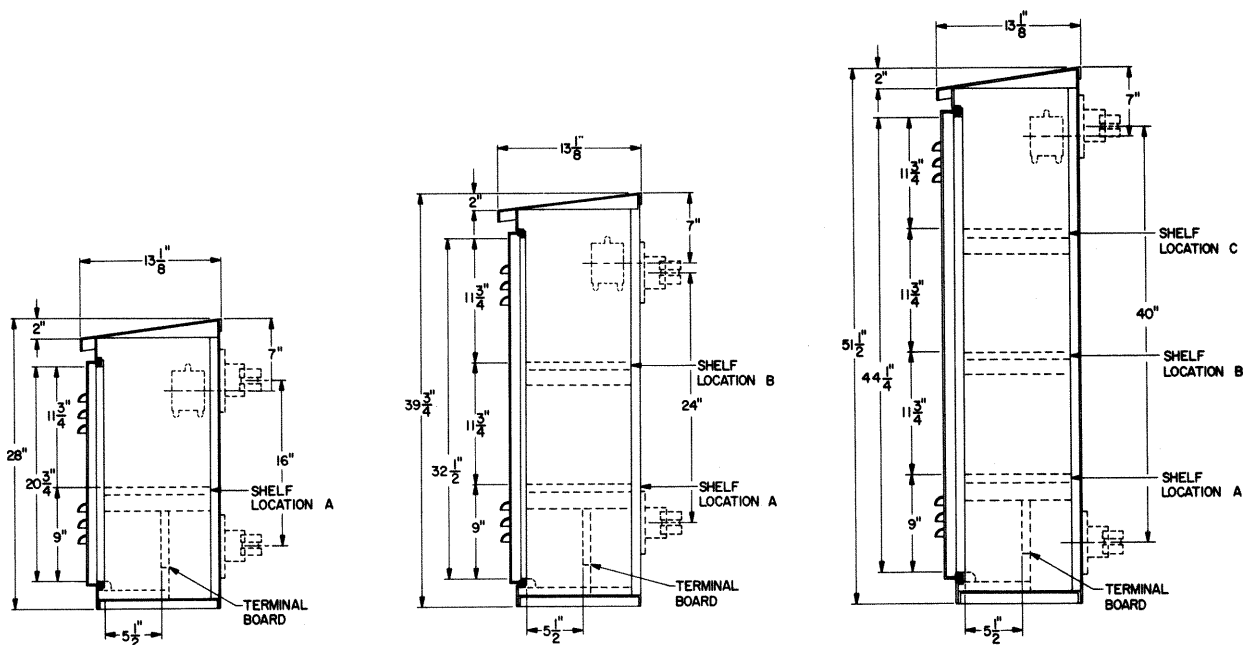
The bottom of the case contains 3-9/16-inch diameter knockouts to accommodate optional cast aluminum bushings.

The back and sides are lined with 3/4-inch wood. The optional shelves and terminal board, are also constructed of 3/4-inch wood.

Aluminum cases are constructed of 0.100 inch aluminum sheeting, while steel and Cor-Ten® steel cases are constructed of 12 gauge and 14 gauge steel, respectively.

Steel cases are coated with primer and finished with aluminum paint on the exterior and gray paint on the interior. Cor-Ten® steel cases are finished the same as steel inside, but are unfinished on the exterior. The outermost surface of Cor-Ten® steel oxidizes, providing a natural protective finish for the exterior of the case.

# ORDERING INFORMATION

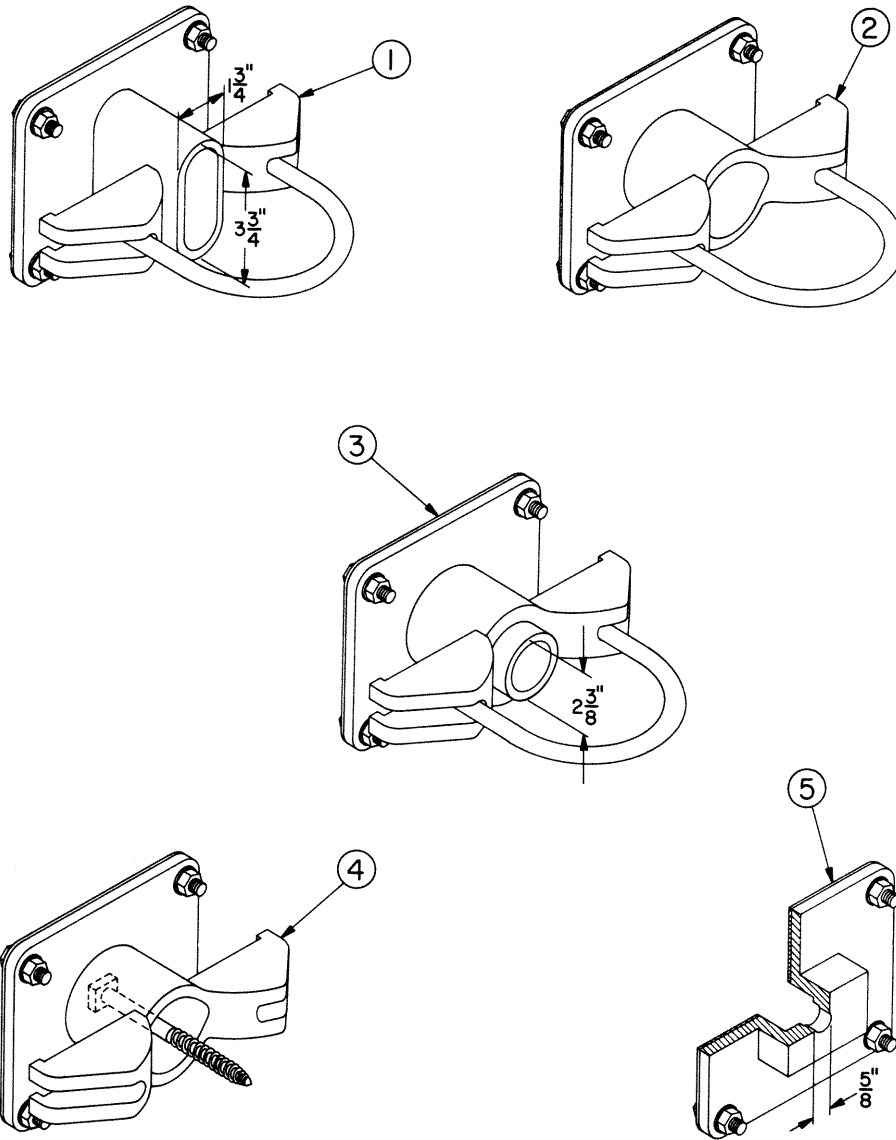


To order, specify the following:

1. Dimensions in inches and part number from the table below.
2. If shelves and terminal board are desired, specify via above diagram.
3. If integral 19" rack is desired, note on order.
4. List by description and part number, accessories, and type of mounting brackets desired.

Dimensions in Inches			Number of Knockouts	Part Number		
Height	Width	Depth		Aluminum	Steel	Cor-Ten
28	15.75	13.75	2	051270-210	051200-210	051250-210
39.75	15.75	13.75	2	051270-220	051200-220	051250-220
39.75	23.75	13.75	3	051270-230	051200-230	051250-230
39.75	28.25	13.75	3	051270-240	051200-240	051250-240
51.5	28.25	13.75	3	051270-250	051200-250	051250-250

# MOUNTING BRACKETS

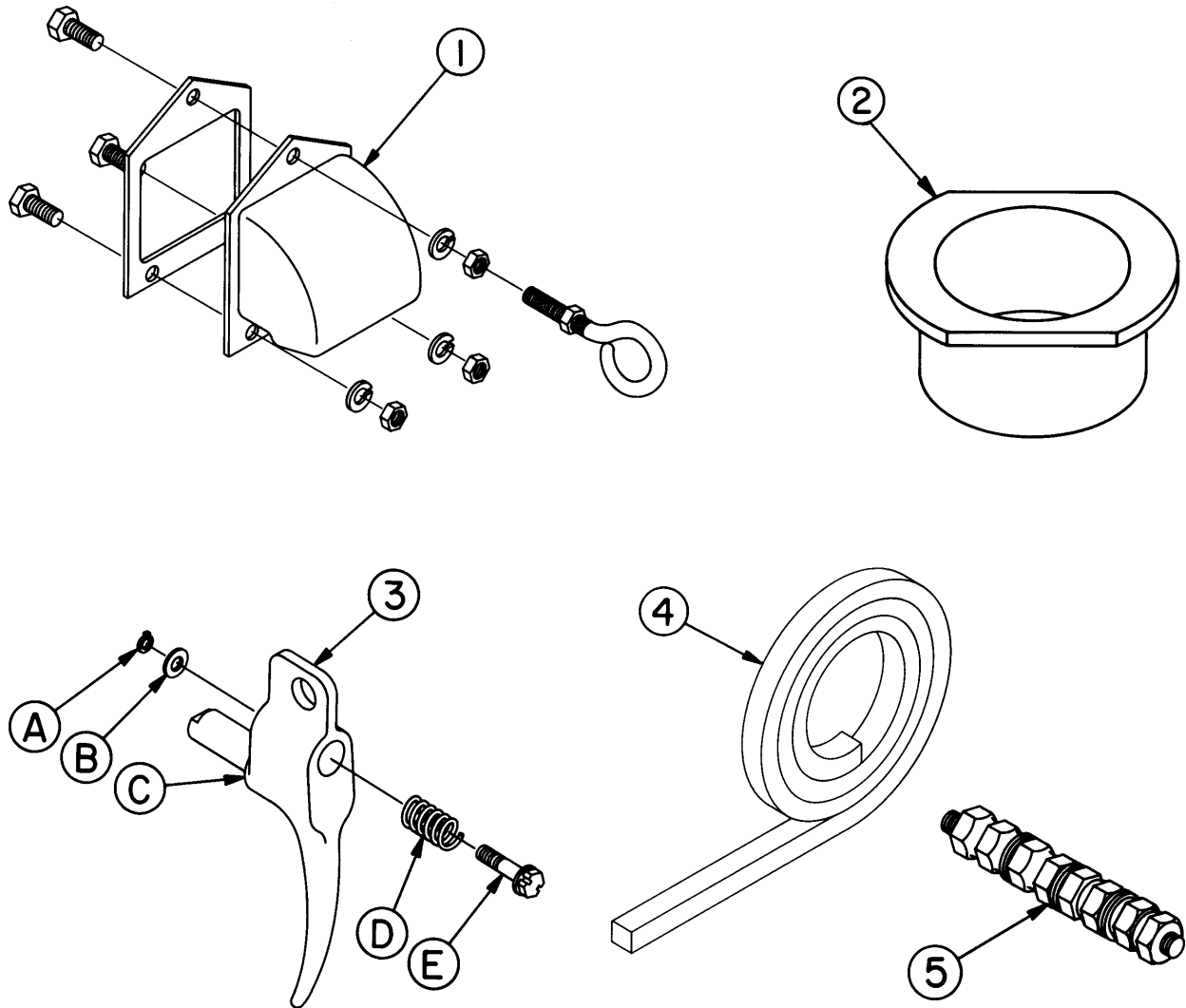


To order, specify application and part number.

Item Number	Application	Required Hole Size in Pipe Mast in Inches	Part Number
1	4-Inch Pipe*	2 x 4	035021-X
2	4-Inch Pipe*	None	035023-X
3	4-Inch Pipe*	2-1/2 Diameter	035023-1X
4	Wood Pole	None	035023-2X
5	Wall or Concrete Post	None	035030-X

\* Adapters for mounting to 5- and 8-inch pipe masts furnished upon request.

## ACCESSORIES AND REPLACEMENT PARTS



To order, specify description and part number.

Item Number	Description	Part Number
1	Inlet, Aerial Cable	035035-X
2	Bushing, Bottom	035041
3	Door Handle Assembly	051128-1AX
	Includes: A. Ring Snap	7564
	B. Washer	051128-2
	C. Handle, Door	051128-5
	D. Spring	051150
	E. Bolt, Locking	051128-1X
4	Gasket, Door, .562" x .75" (Specify Length)	10-08-002
5	Terminal, Ground	035049-X